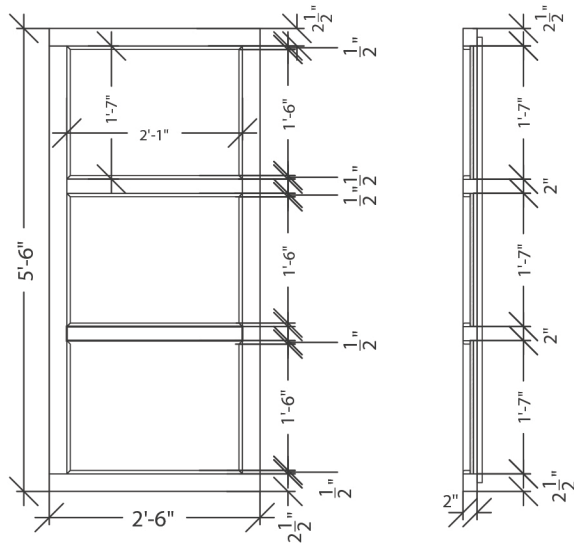
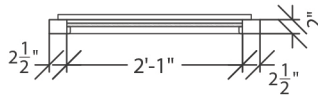


# DOOR MIRROR

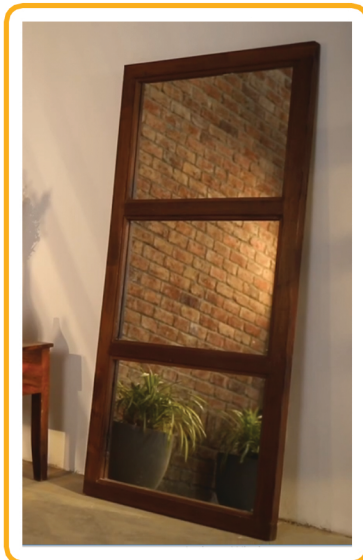


elevation

side elevation



plan



## MATERIALS REQUIRED:

1. Hard Wood Old BTC plank- 6'-0" (l) x 2 1/2" (w) x 2" (d) - 3 pcs
2. Hard Wood Old BTC plank- 4'-6" (l) x 2" (w) x 2" (d) - 1 pcs
3. Hard Wood Lipping Patti - 6'-0" (l) x 12" (w) x 1" (d) - 3 pcs
4. 12mm Marine Plywood - 1 sheet
5. 6 mm clear mirror - 2'-1" x 1'-7" - 3 pcs
6. Carpentry Tools
7. Asian Paints TruGrip Ultra
8. Asian Paints Loctite Rapid
9. Asian Paints TruGrip Super Masking Tape
10. Asian Paints Clear Matt PU

## STEPS:

1. Cut the wooden sections required to make the door mirror as per the dimensions mentioned in the drawing.
2. Fix the frame elements together by securing the tongue and groove joints with Asian Paints TruGrip Ultra and nails.
3. Leave a 1" space from all four sides and fix the 12 mm plywood to the back of the frame with Asian Paints TruGrip Ultra.
4. Additionally fix the 12mm plywood pieces in all the three grids of the frame with the help of Asian Paints TruGrip Ultra.
5. Fix the 6 mm Mirror in the three grids using Asian Paints Loctite Rapid.
6. Secure the mirrors by adding a lipping patti on all four sides using Asian Paints TruGrip Ultra and nails.
7. Cover the mirror using newspaper and Asian Paints TruGrip Super Masking Tape and finish it using Asian Paints Clear Matt PU.

